



Download from
Dreamstime.com

This watermarked comp image is for previewing purposes only.



ID 35103813

© Yulia Gapeenko | Dreamstime.com

[Motorola Progssoft Download Cqham](#)

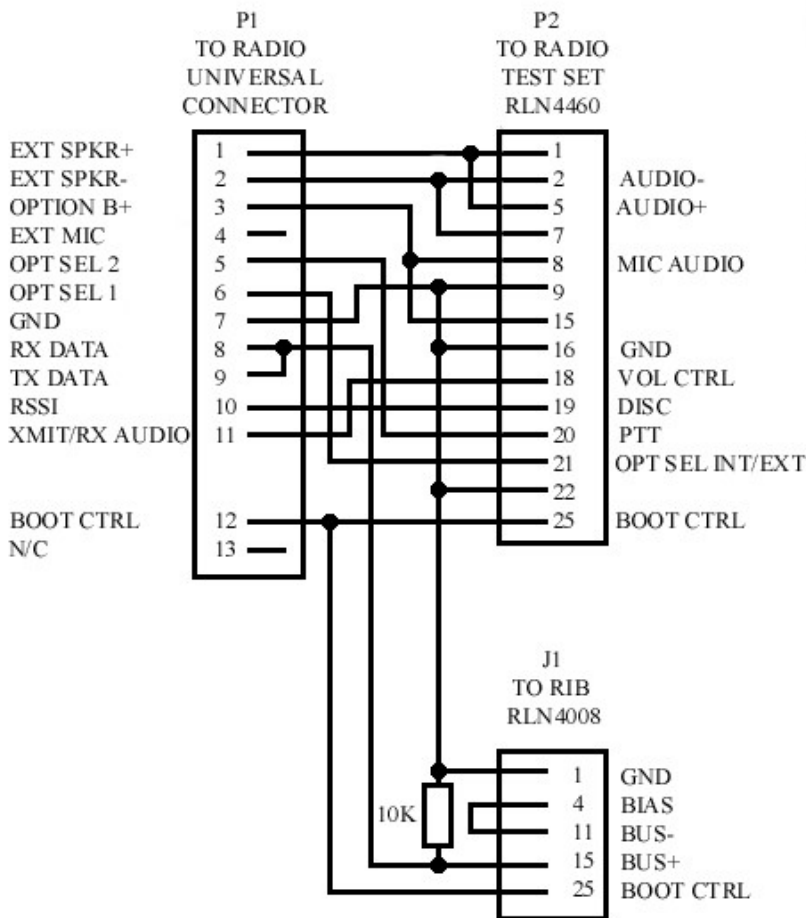
GENERAL INFORMATION

The RKN4074 Programming/Test Cable connects the radio to the RLN4008 Radio Interface Box (RIB) for radio programming, and/or to the RLN4460 Radio Test Set for radio testing. The RIB and the radio test set can be connected at the same time and not interfere with each other.

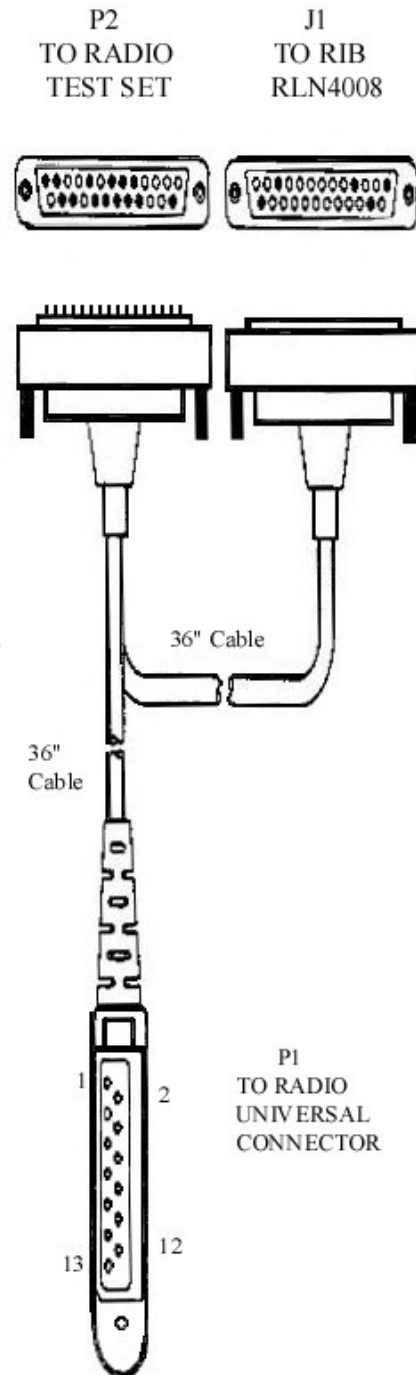
SERVICE

The RKN4074 Programming/Test Cable is not repairable. Order a replacement cable as necessary.

SCHEMATIC DIAGRAM



CONNECTOR DETAIL



[Motorola Prosoft Download Cqham](#)



Download from
Dreamstime.com

This watermarked comp image is for previewing purposes only.



ID 35103813

© Yulia Gapeenko | Dreamstime.com

motorola progsoft download cqham Name: motorola progsoft download cqham Category: Composition Published: propnabtyaci1988 Language: English Документация по радиостанциям, радиосканерам, и даже радиоприемникам! Описания, схемы, инструкции, программы и много другой полезной motorola progsoft download cqham. Name: motorola progsoft download cqham. Category: Soft Published: isacerum1984. Language: English.. Есть вредная станция Motorola CM340 Model MDM50KNC9AN2AN Ver.no R03.09.03 Type MM304BB Подскажите, какая версия CPS для 00.01 (for service Pro series). Программирование тонального вызова GP-340 · <http://www.batlabs.com/> BatLabs Motorola Site. Standard News Uiucnews.21.by | News 21news.moto-journal.fr | News Moto-Journalnews.pixelistes.com | News Pixelistesnews.php.net | News Phpnews.ku.edu | News ...

7abe6a0499

[Scaricare Navisworks Simulate 2007 Generatore Di Chiavi 64 Bits](#)
[Kabab Mein Haddi Full Movie 2012 In Tamil Free Download](#)
[Miller And Levine Biology Study Workbook A Answer Key Pdf](#)
[X Force 2009 X64 Exe Within Medical](#)
[Free audiobooks for downloading Tombland](#)
[Scaricare Maya LT 2018 Codice Di Attivazione 64 Bits](#)
[EMCO Network Inventory Enterprise V5.8.5.9310 Incl Keygen-Lz0](#)
[Chicken Seekh Kabab Recipe Step By Step](#)
[Xforce Keygen Autocad 2014 64 Bit Free Download Windows 8](#)
[Wake Up Sid Movie Download Torrent](#)